

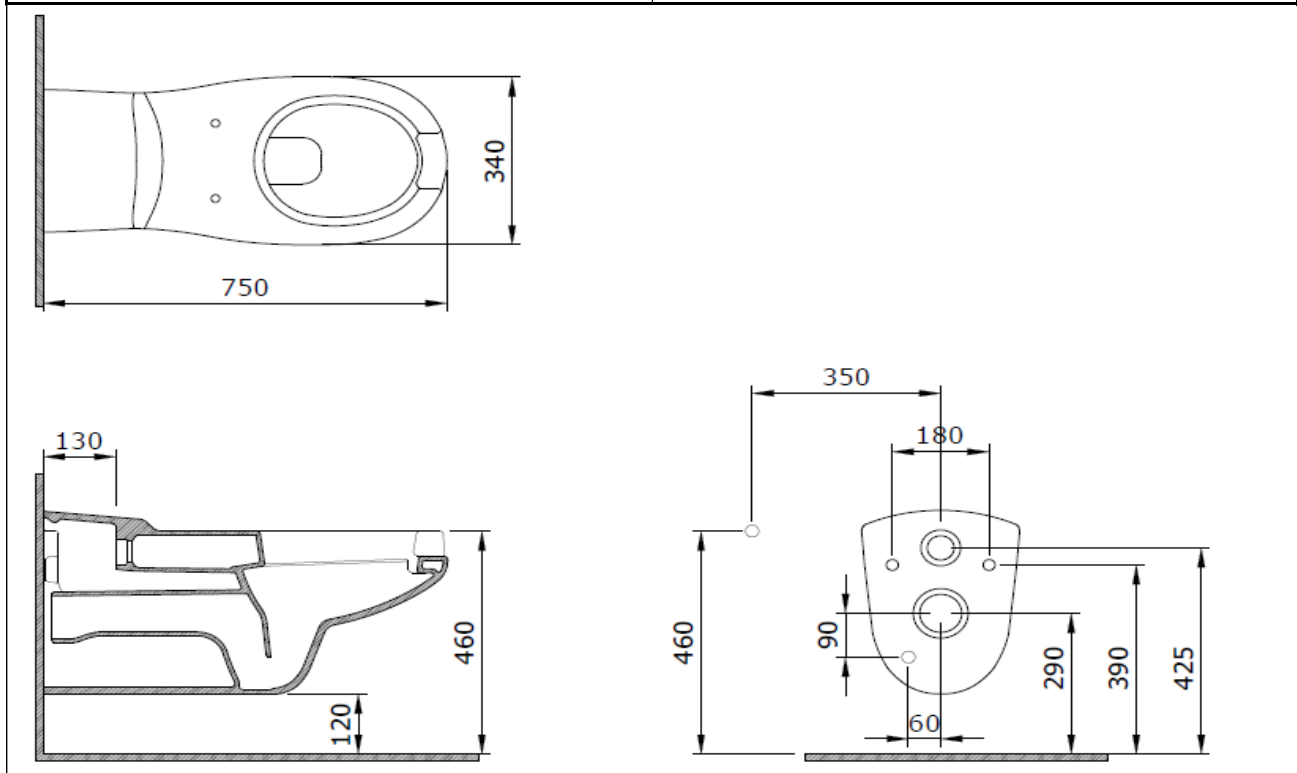
Wall Hung Toilet For Disabled - Open Front

BOCCHI
IL BAGNO PER TUTTI



Product code: 2011-001-0128

Collection	Disabled
Size	350 X 750 mm
Brand	BOCCHI
Surface	Glazed Hygiene
Colour	Glossy White
Washing Volume	4,5 L
Weight	27,58 kg
Accessory	Bidet set A0728
Complementary products	Soft close toilet cover A0324



BOCCHI reserves the right to make changes in products and technical details without notice.

All dimensions in the drawings are within standard tolerances.

If there is a need for exact measurements in assembly applications, exact measurements taken from the product should be used.