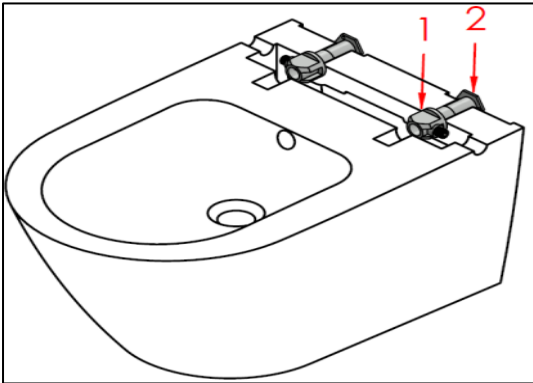
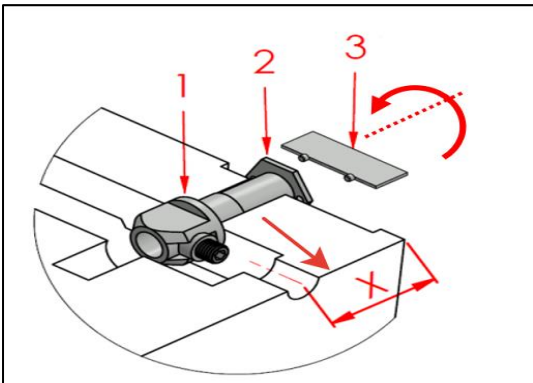


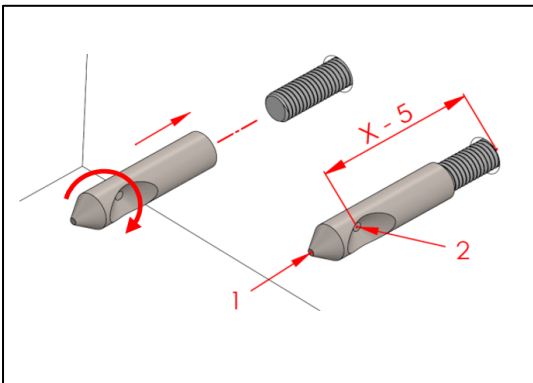
# **WALL-MOUNTED BIDET SIDE INSTALLATION INSTRUCTIONS**



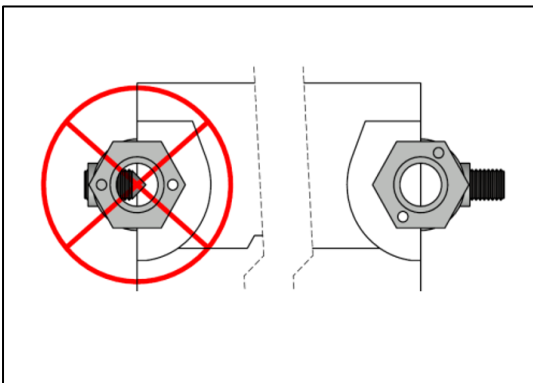
Fix the parts numbered 1 and 2 to the product with the tightening apparatus numbered 3.



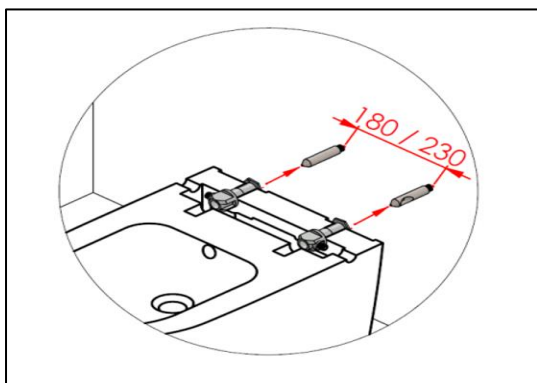
Measure X distance in the product, reduce 5.0 mm from the measured distance and adjust the stud length.



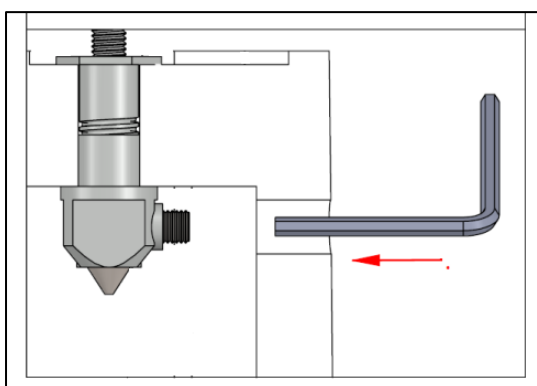
Turn the stud slots sideways.



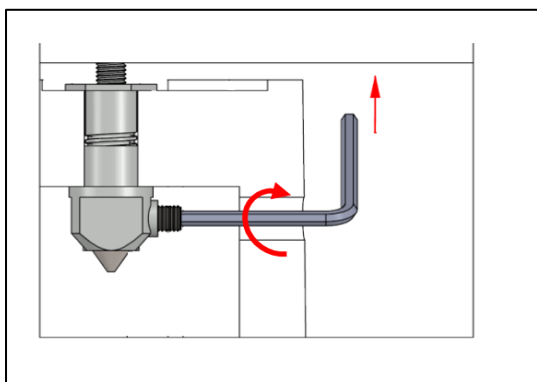
Check whether the fixing screw is zero to the inner surface of the mounting apparatus so that the screws on the wall can pass.



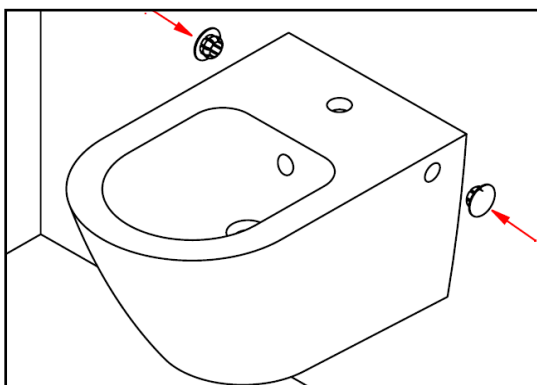
Place the product.



Insert the allen screw to the set screw from the side hole.



Adjust the left-right balance of the product before the set screws are fully tightened with the allen screw.



Complete the installation with the final tightening.