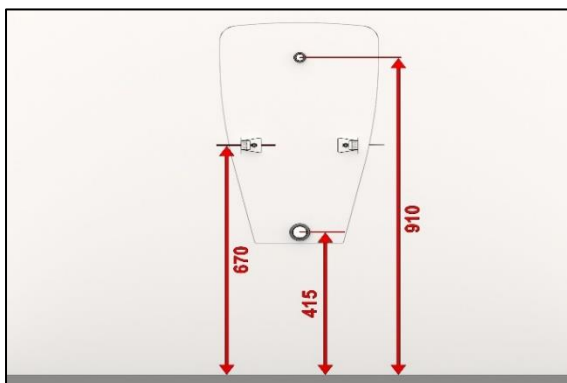
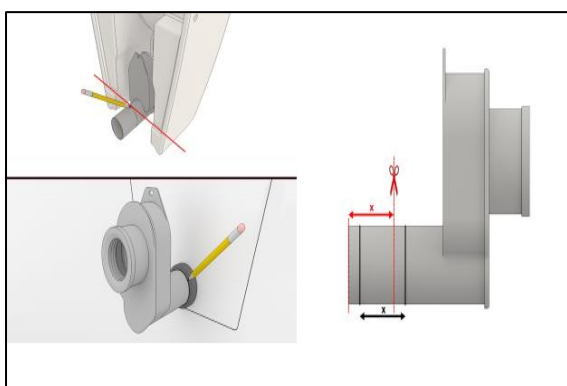


**URINAL WITH BACK WATER INLET
INSTALLATION INSTRUCTIONS**



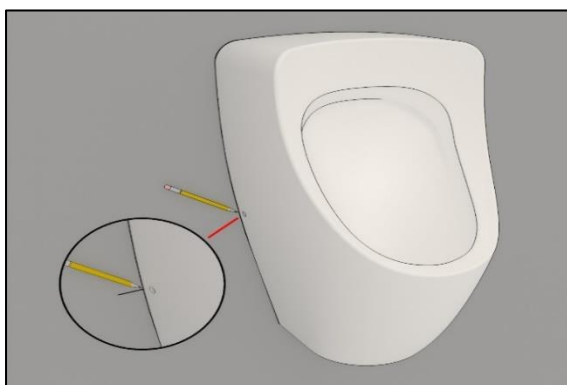
Prepare the infrastructure in specified sizes and align the water inlet and waste water outlet with the wall surface.



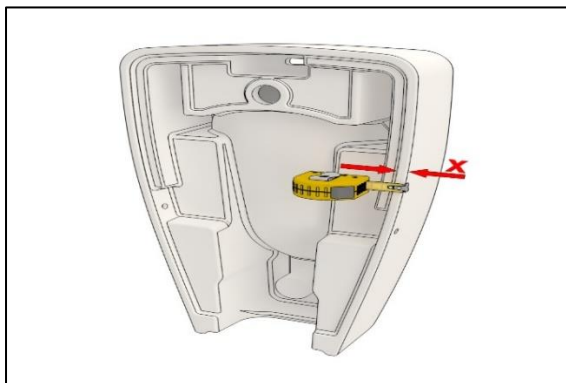
Adjust the drain pipe length as shown.



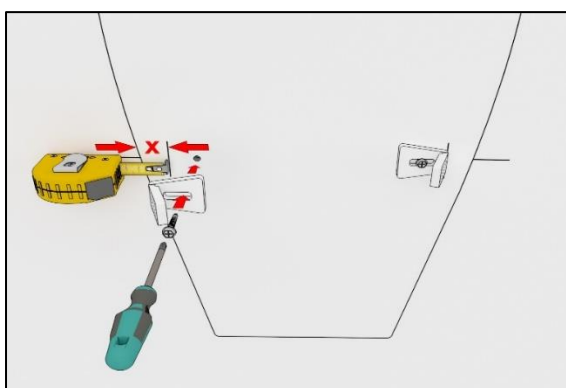
Place the product temporarily.



Draw the mounting hole axes and all base edges of the product on the wall.



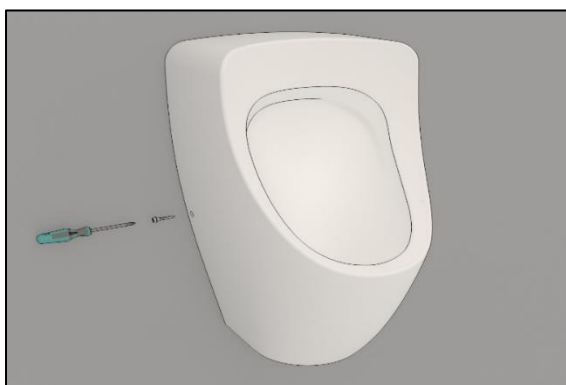
Remove the product and measure the installation hole wall thickness.



Fix the installation apparatus to the wall by leaving a space equal to the measured wall thickness.



Place the urinal and fix.



Complete the installation by fixing the screw heads on both sides.