

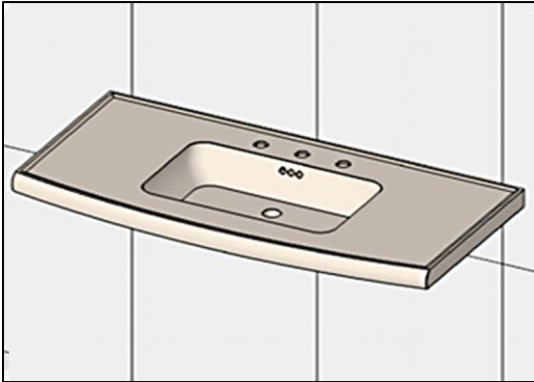
BOCCHI

IL BAGNO PER TUTTI

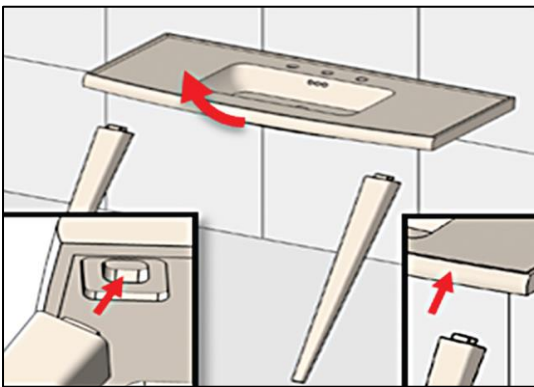


TWO-LEG WASHBASIN INSTALLATION INSTRUCTIONS

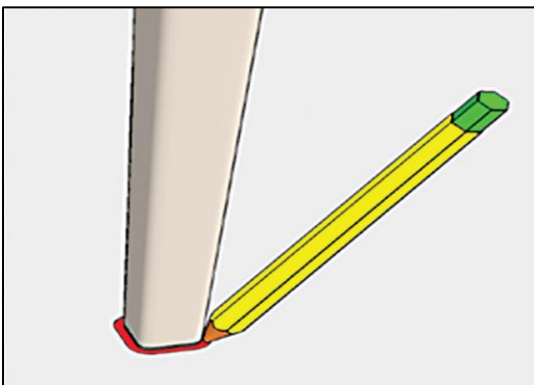
TWO-LEG WASHBASIN INSTALLATION



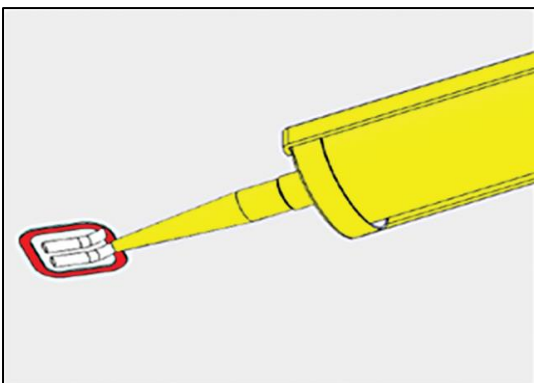
Install the washbasin and do not tighten nuts completely.



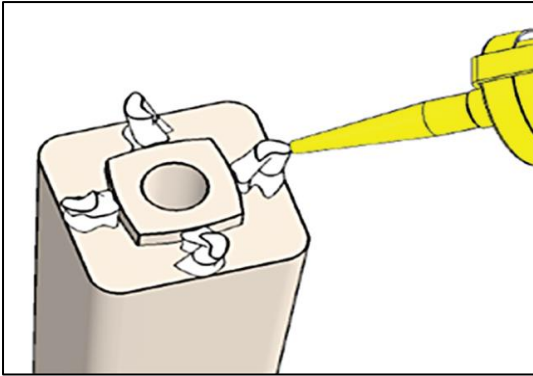
Lift the front edge of the washbasin and place both legs in their holes in the washbasin.



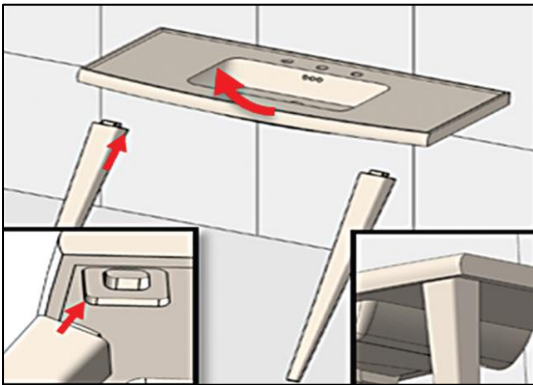
Mark the edges of the legs touching the floor.



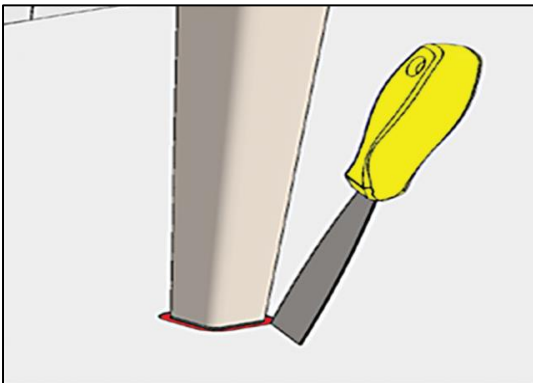
Remove the legs and apply silicone to the marked places on the floor.



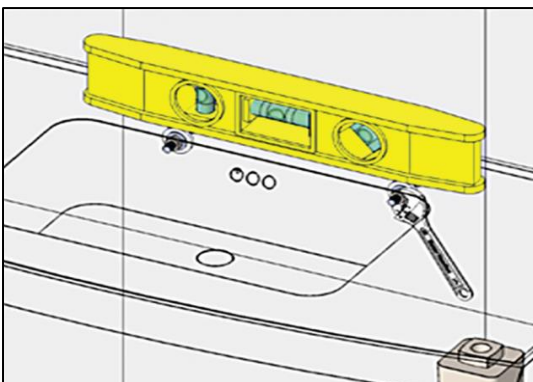
Apply silicone to the top side of the legs.



Insert the legs into the sink slots



Remove excessive silicone and wait for 24 hours.



Fix the washbasin completely and wait for 24 hours.