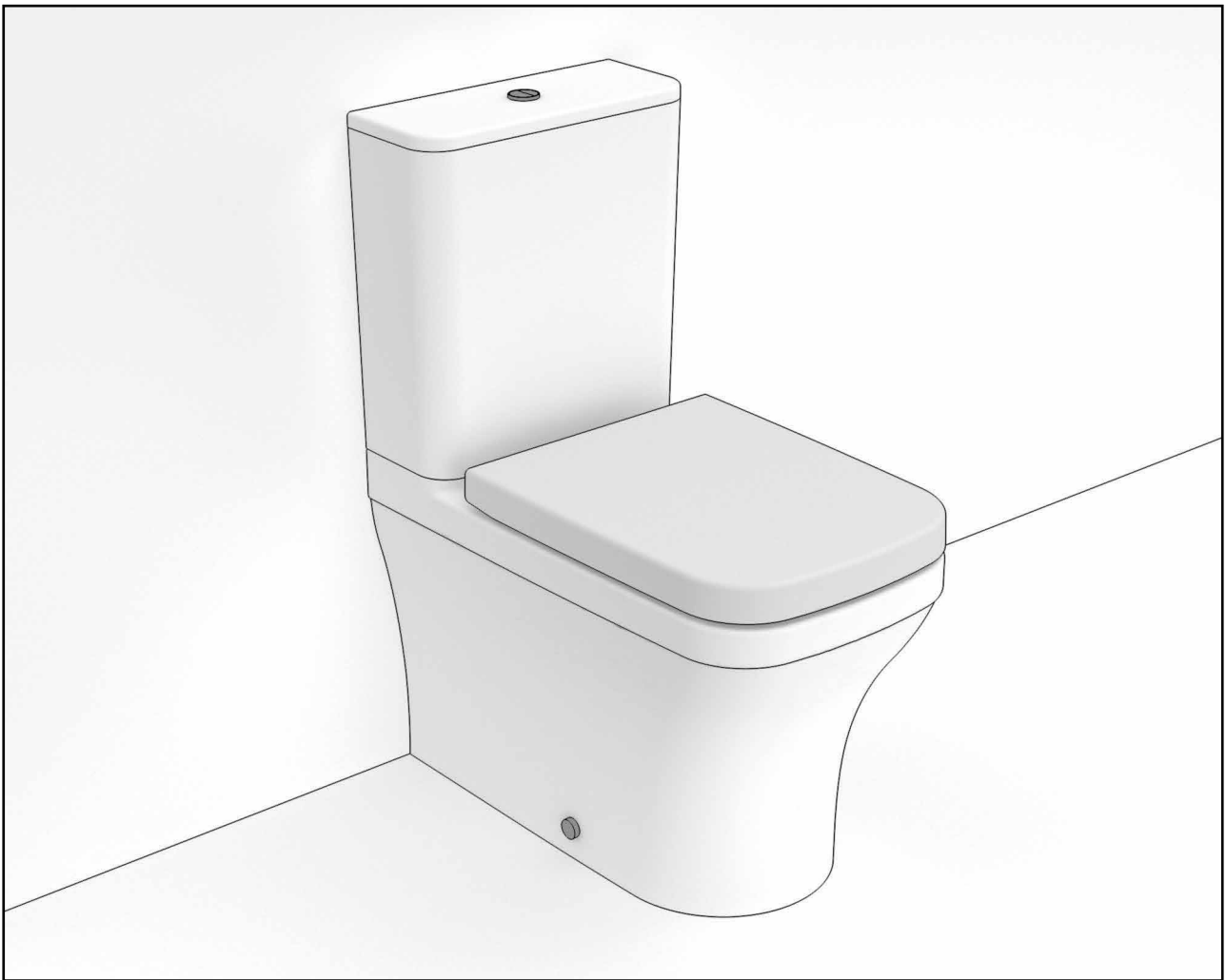


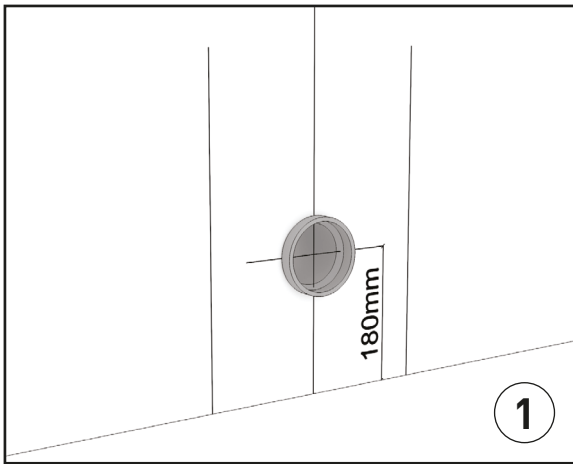
BOCCHI

IL BAGNO PER TUTTI

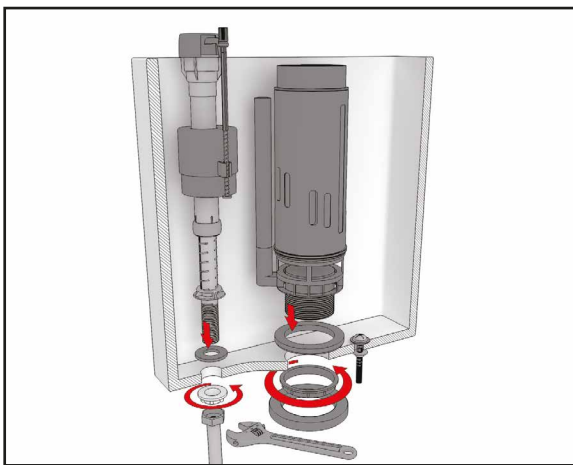


**BACK TO WALL CLOSE-COUPLED TOILET
INSTALLATION INSTRUCTIONS**

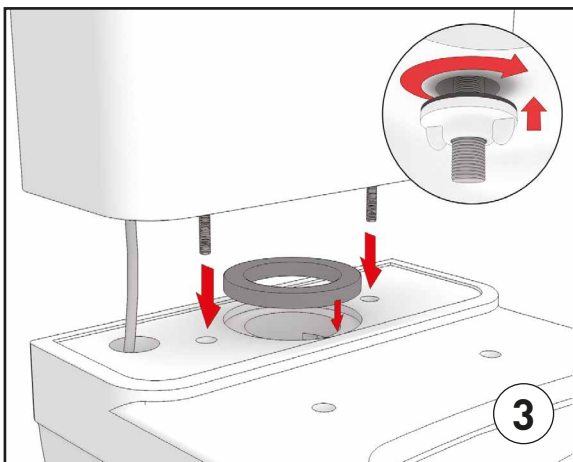
Back To Wall Close-Coupled Toilet Installation



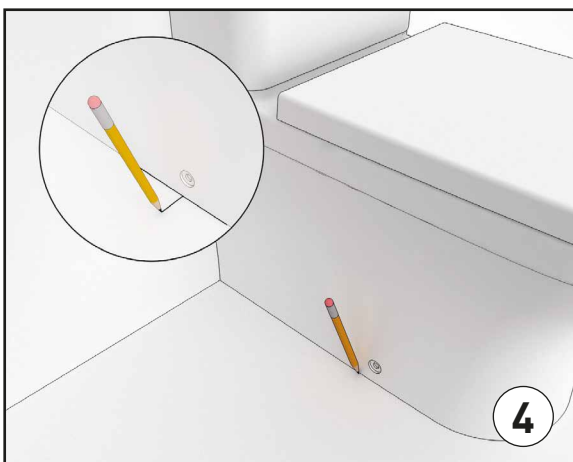
Prepare waste water drainage infrastructure according to the specified dimensions.



Connect the water inlet and drain group to the cistern.

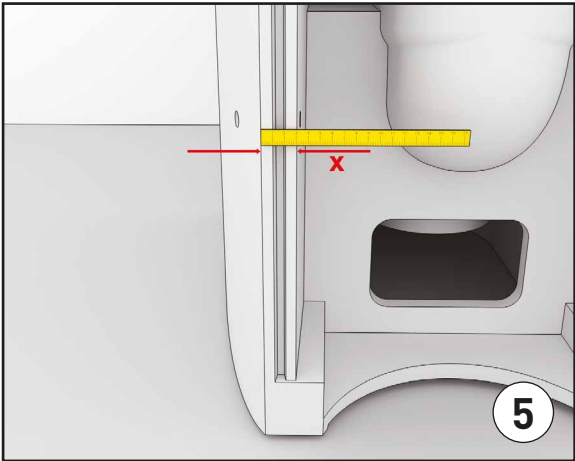


Fix the cistern to the toilet.

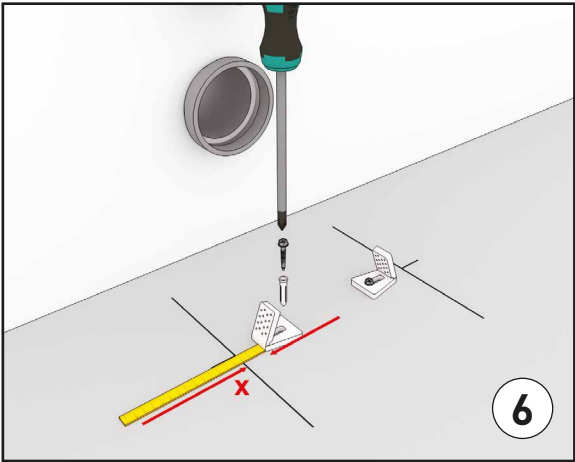


Temporarily place the toilet. Draw the mounting hole axes and all bottom edges of the product on the floor.

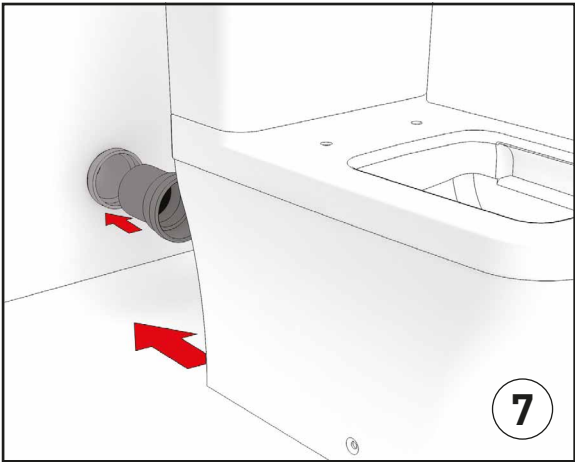
Back To Wall Close-Coupled Toilet Installation



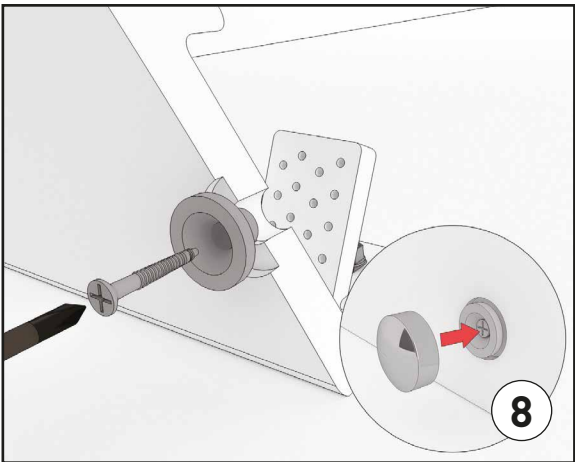
Measure mounting hole wall thickness.



Fix the mounting apparatus to the ground adjusted according to the size taken from the wall thickness.



Place the toilet bowl to the installation area.



Fix the toilet.