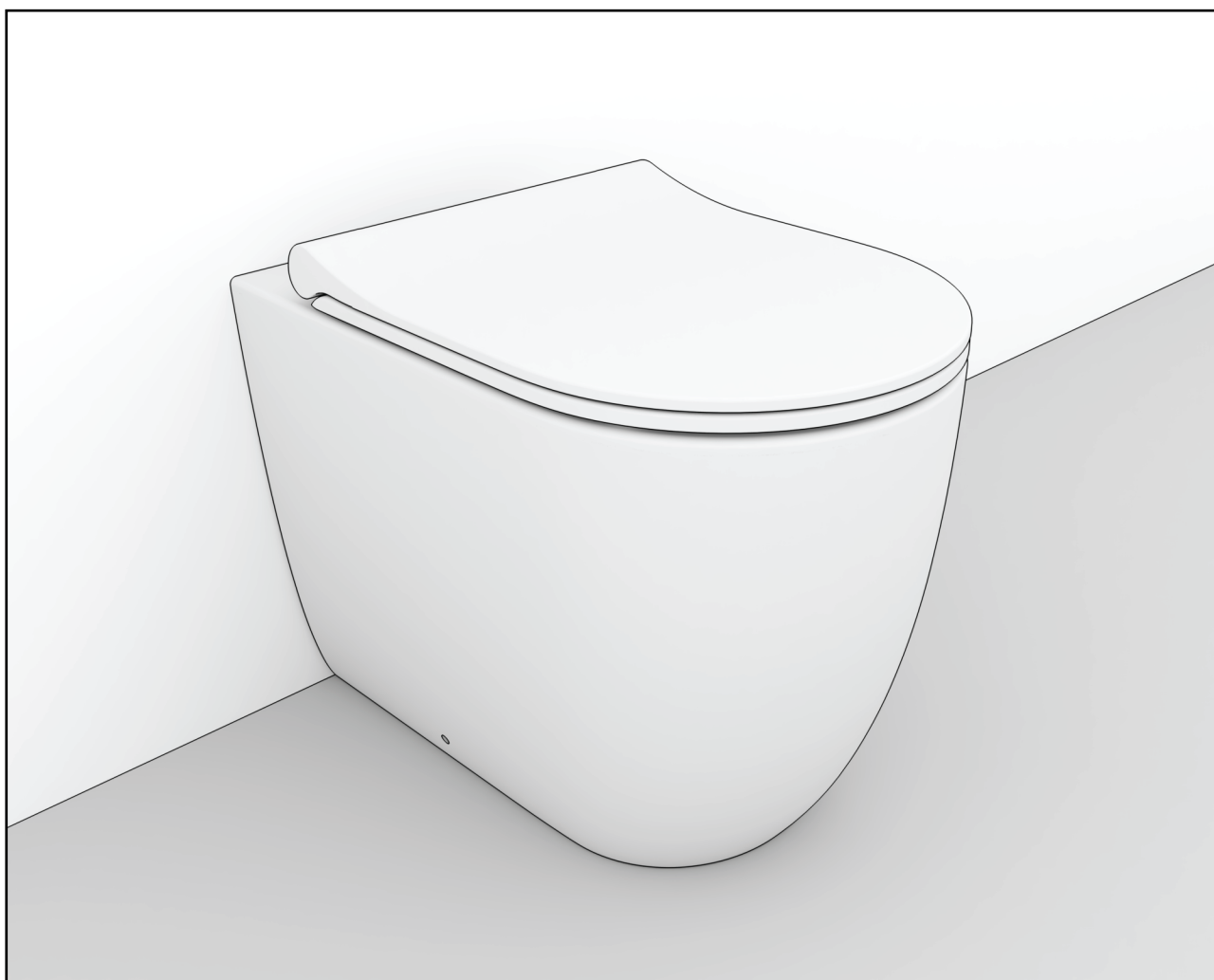


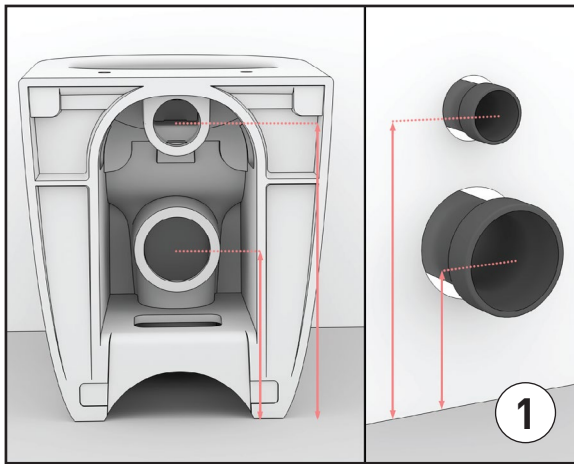
BOCCHI

IL BAGNO PER TUTTI

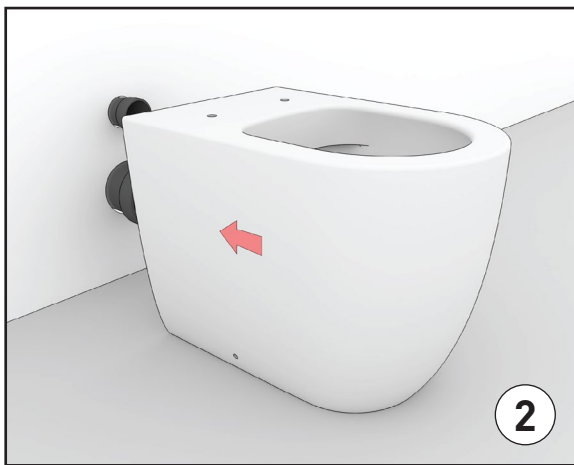


**FLOOR-MOUNTED SINGLE TOILET
INSTALLATION INSTRUCTIONS**

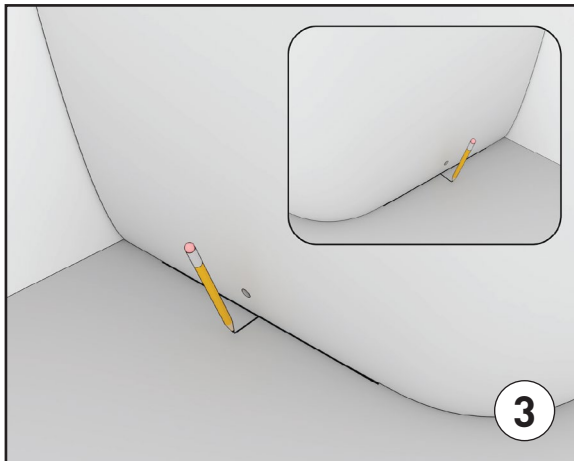
Floor-Mounted Single Toilet



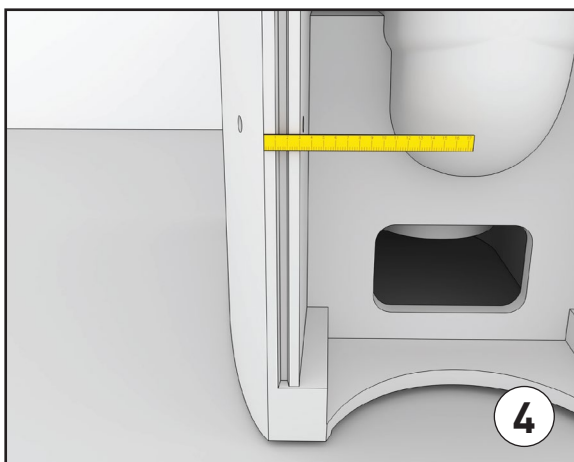
Prepare the water inlet and waste water drainage infrastructure according to the specified dimensions



Temporarily place the toilet.

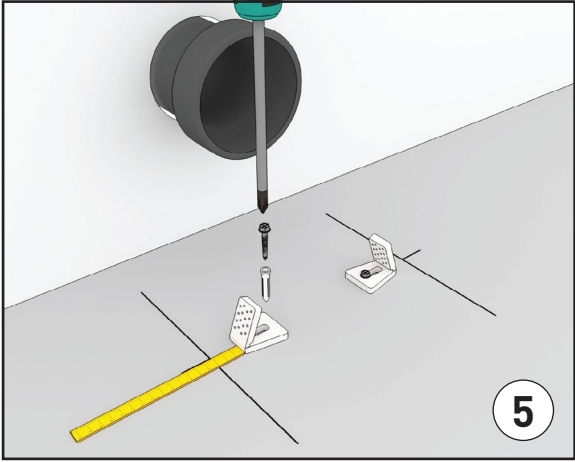


Draw the assembly axes of the product and all its lower edges on the floor.

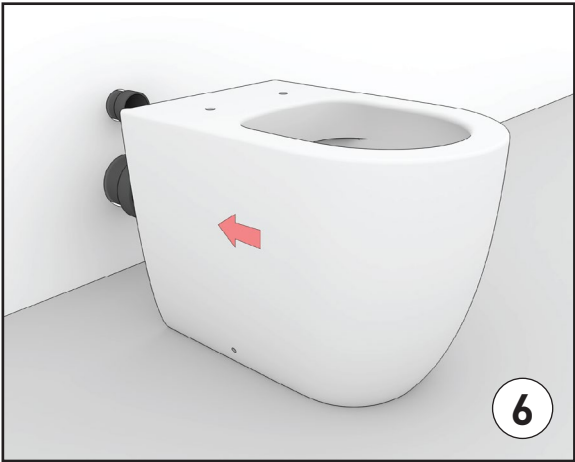


Measure mounting hole wall thickness.

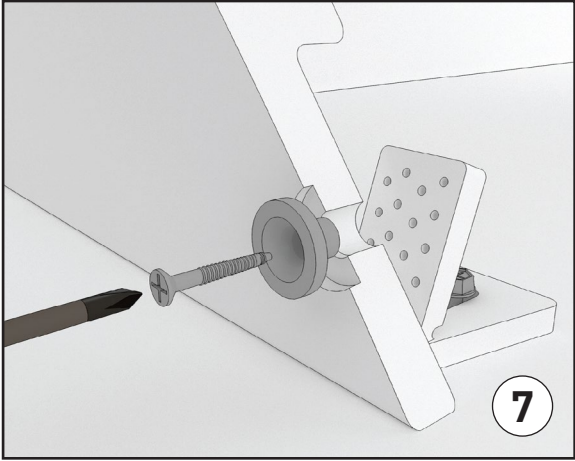
Floor-Mounted Single Toilet



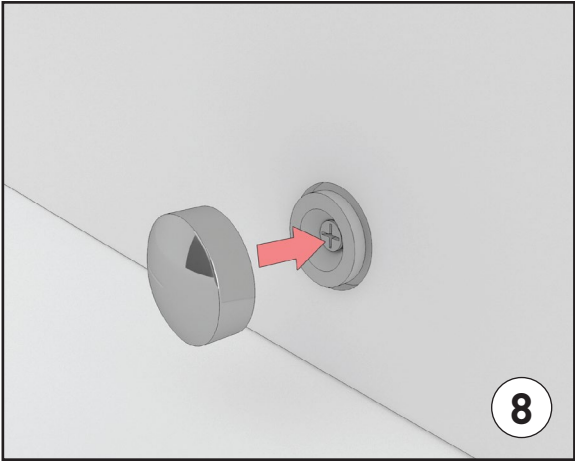
Fix the mounting apparatus to the ground adjusted according to the size taken from the wall thickness.



Place the toilet bowl to the installation area.



Fix the toilet.



Close the mounting screw cover as shown in the figure.