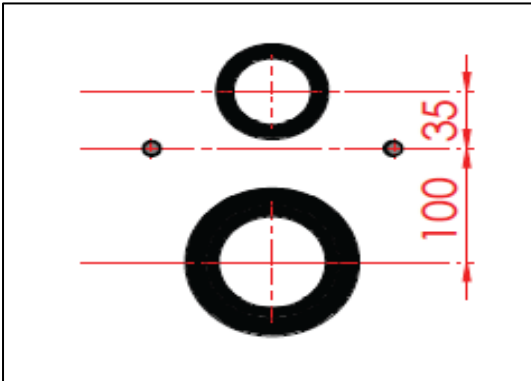
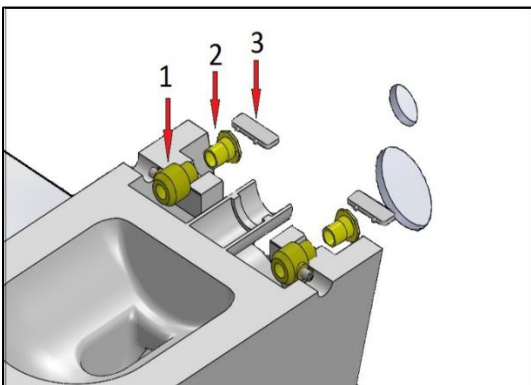


**WALL-MOUNTED TOILET SIDE INSTALLATION  
INSTRUCTIONS**

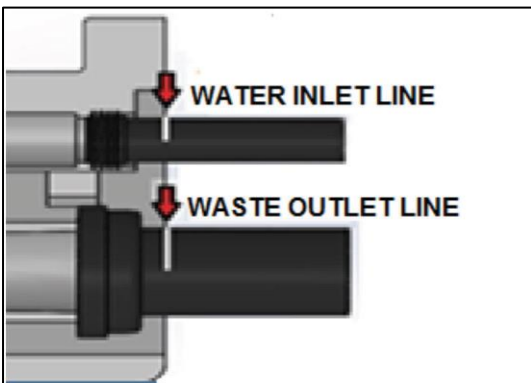
**WALL-MOUNTED TOILET SIDE INSTALLATION**



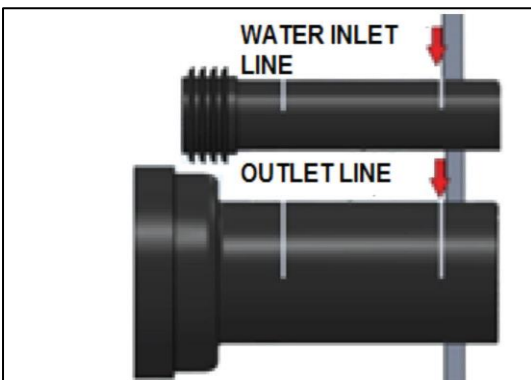
Prepare the infrastructure in specified sizes.



Fix the parts numbered 1 and 2 to the product with the tightening apparatus numbered 3.

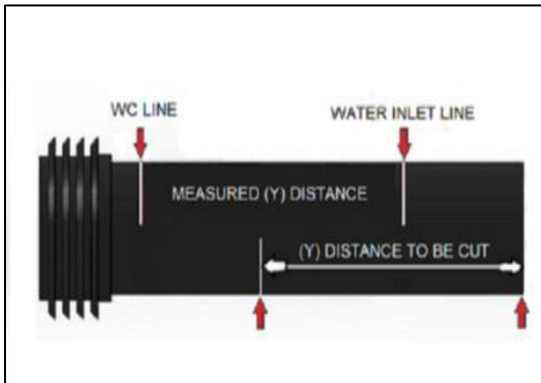


Fix the drain pipes to the product and mark the areas shown with arrow.

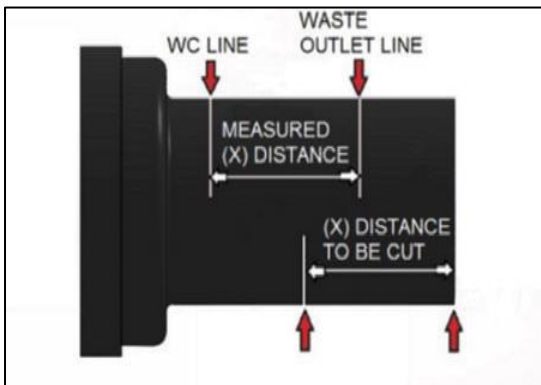


Fix the drain pipes to the installation and mark the areas shown with arrow.

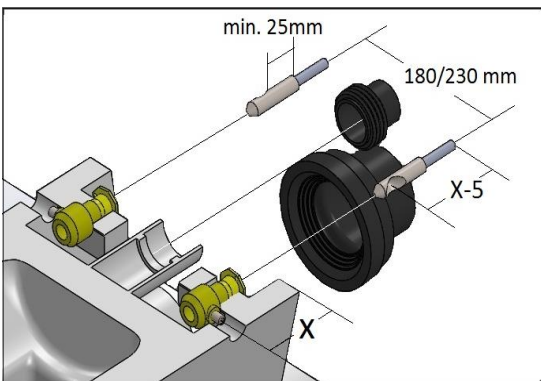
**WALL-MOUNTED TOILET SIDE INSTALLATION**



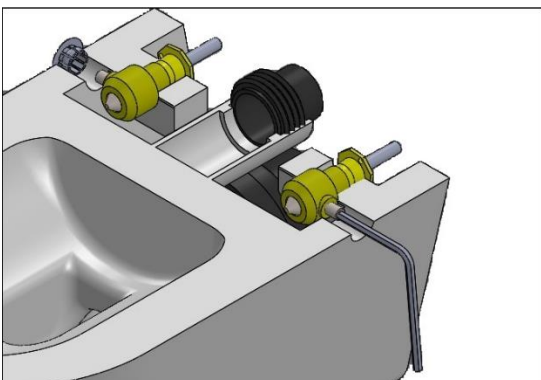
Shorten the water inlet adaptor as the distance between two marks.



Shorten the waste water drain pipe as the distance between two marks.



Measure **X** distance in the product, reduce **5.0 mm** from the measured distance, adjust the sleeve-headed stud lengths and turn the sleeve-head holes sideways.



Place the product and complete the installation by inserting the allen screw to the set screw from side installation holes.